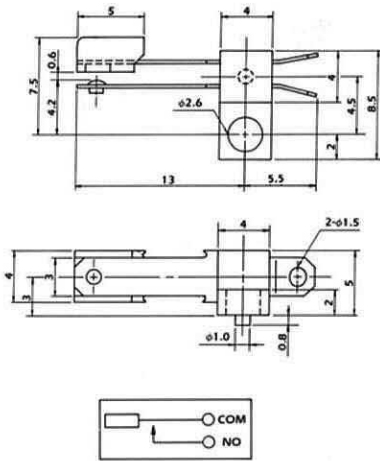
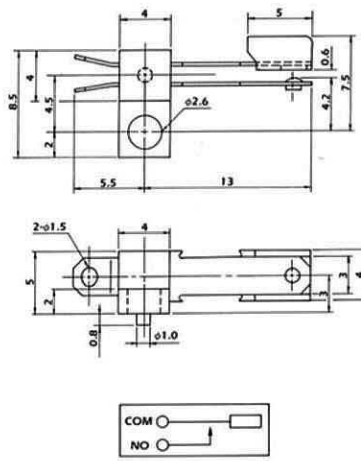


LEAF SWITCH

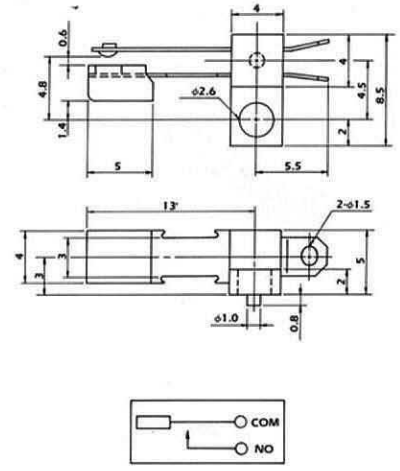
LS-L112U-13A



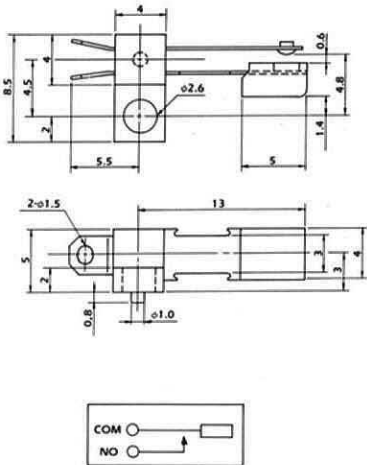
LS-R112U-13A



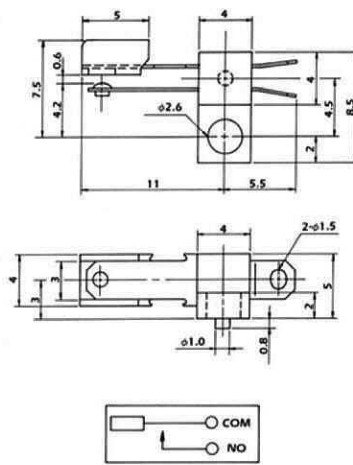
LS-L112D-13A



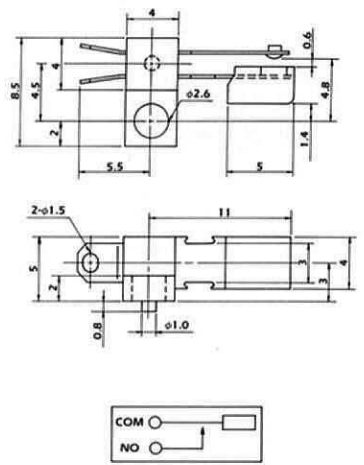
LS-R112D-13A



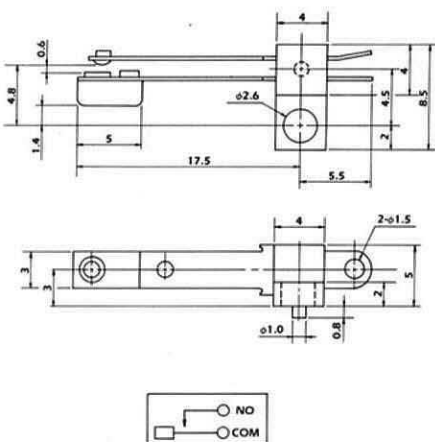
LS-L112U-11A



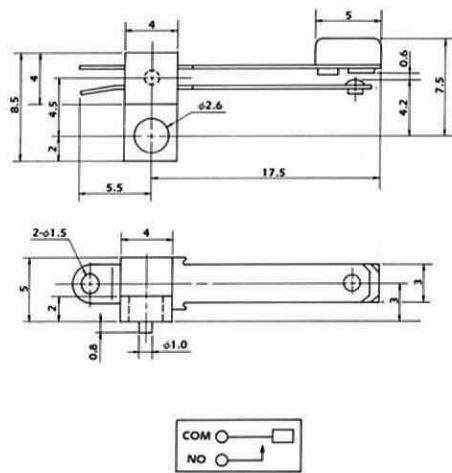
LS-R112D-11A



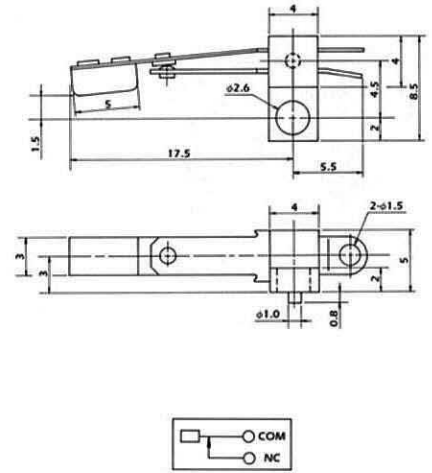
LS-L112D-175A



LS-R112U-175A

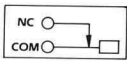
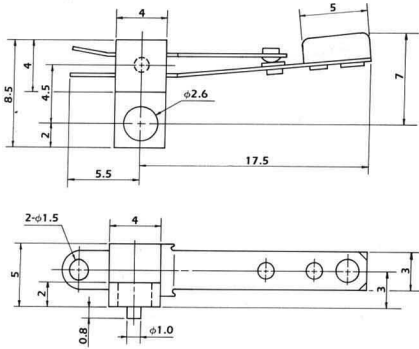


LS-L112D-175B

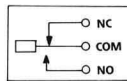
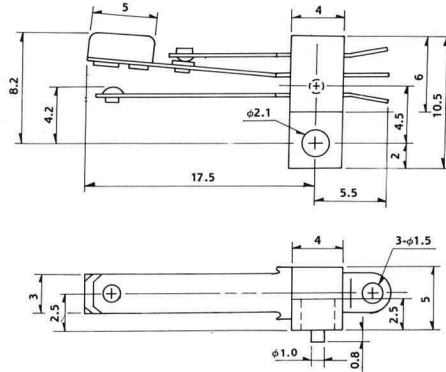


LEAF SWITCH

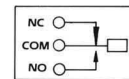
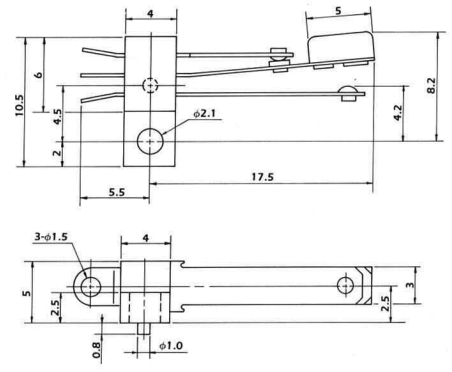
LS-R112U-175B



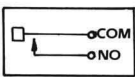
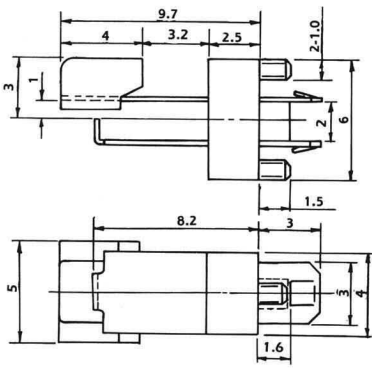
LS-L113U-175C



LS-R113U-175C



LS-P115-10A



LEAF SWITCH

REQUIREMENTS

- CONTACT RESISTANCE: 30m Ω max. (INITIAL)
- INSULATION RESISTANCE: 100M Ω min. AT 500V DC.
- WITHSTANDING VOLTAGE: 500V AC FOR ONE MINUTE.
- SOLDERING HEAT TEST: 260 \pm 5 $^{\circ}$ C FOR 5 \pm 1 SECONDS.
- OPERATING FORCE: 60-120 g.
- APTITUDE STROKE: 3.0mm max.
- RATING VOLTAGE & CURRENT: DC 16V, 20mA-1.0A.
- LIFE TIME: 10,000 CYCLES min.

LS-L116U-10AN

