

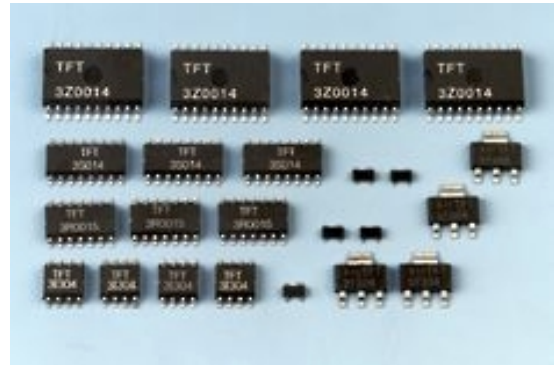
SMT-Precision-R-Networks

Type: **SCN**

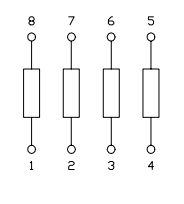
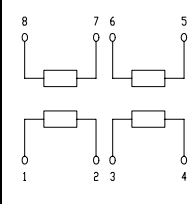
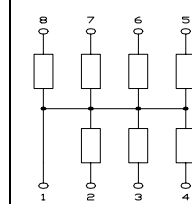
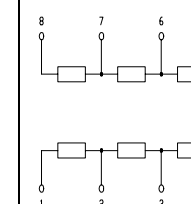
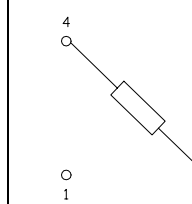
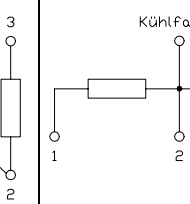
Sizes: **SOT143, SOT223, SO8, SO14, SO16, SO20L**

Features:

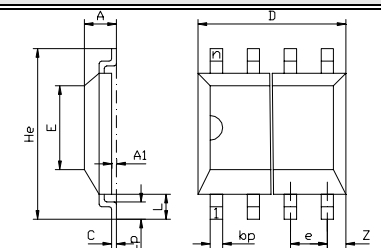
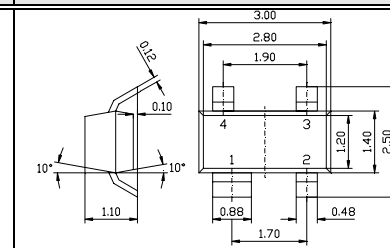
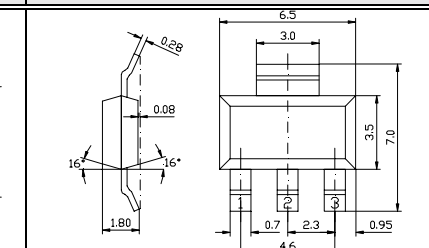
- Thinfilm (NiCr) on passivated Si- or Alu-minia-substrate
- Standart types and custom networks
- Relative-data (tolerance, TCR and stability) much closer than with single resistors



Examples of circuits:

SO				SOT 143	SOT 223
Single resistors		Current-dividers	Resistor bridges		
					

Size / Dimensions:

SO8, SO14, SO16, SO20L	SOT 143	SOT 223
		

Case	D max	E min	E max	A max	A 1	He min	He max	L min	Lp min	bp	C
SO 8	5,08	3,8	4,2	2,0	0,2 ± 0,1	5,5	6,7	0,85	0,3	0,42 ± 0,07	0,2 ± 0,05
SO 14	8,89	3,8	4,2	2,0	0,2 ± 0,1	5,5	6,7	0,85	0,3	0,42 ± 0,07	0,2 ± 0,05
SO 16	10,16	3,8	4,2	2,0	0,2 ± 0,1	5,5	6,7	0,85	0,3	0,42 ± 0,07	0,2 ± 0,05
SO 20 L	13,0	7,4	7,6	2,65	0,2 ± 0,1	10,1	10,7	1,35	0,3	0,42 ± 0,07	0,27 ± 0,05

Technical data - depending on size:

Size	SOT 143	SOT 223	SO 8	SO 14	SO 16	SO 20L
Power rating: P ₇₀ (mW) (P ₁₂₅ = 0 mW)	125	250	250	250	250	500
Resistance ranges	10R/1M	10R/5M	10R/5M	10R/10M	10R/10M	10R/10M

Technical data - general:

Working voltage	100 V on Silicon, 250 V on Alumina	
Tolerance	absolute relative	± 0,05; ± 0,1; ± 0,25; ± 0,5; ± 1% < 0,025 ¹⁾ ; < 0,05; < 0,1%
TCR	absolute relative	± 5 ¹⁾ ; ± 10; ± 25; ± 50 *10 ⁻⁶ /K 0,5 ¹⁾ ; 1; 2; 5; 10 *10 ⁻⁶ /K
Operating temperature range Climatic category acc. to DIN IEC 68	-55 °C...+125 °C 25/125/56	
Solderability ²⁾ Max. soldering temperature ³⁾	235 °C; 2s 260 °C; 10s	

Long term stability		Tol. ≤ 0,25 %		Tol. ≥ 0,25 %	
		1.000h	10.000h	1.000h	10.000h
Storage 125 °C Load P70/70 °C	absolute	< 0,02 %	< 0,06 %	< 0,05 %	< 0,1 %
	relative	< 0,005 %	< 0,02 %	< 0,01 %	< 0,05 %
Storage 155 °C	absolute	< 0,1 %	< 0,2 %	< 0,2 %	< 0,5 %
	relative	< 0,05 %	< 0,1 %	< 0,1 %	< 0,2 %
Damp heat (56d/40°C/96%)	absolute	< 0,05 %		< 0,10 %	
	relative	< 0,01 %		< 0,05 %	

¹⁾ Temperature range 0...+70°C

²⁾ DIN IEC 68 T2-20, Ta Meth.1

³⁾ DIN IEC 68 T2-20, Ta Meth.1A

Other specifications on request.

Customer-specific version:

- Any circuits are possible.
- The parameters of the resistance values are specified by the customer. A customer-specific layout is planned in the company's own development department and implemented technologically.

Ordering data:

- Size
- Number and connection of resistors
- Resistance values
- Tolerance and TCR (absolute and relative)
- Power rating
- Temperature range
- Stability requirements

Packaging: bulk, tape/reel, magazine

Stand: 02/99